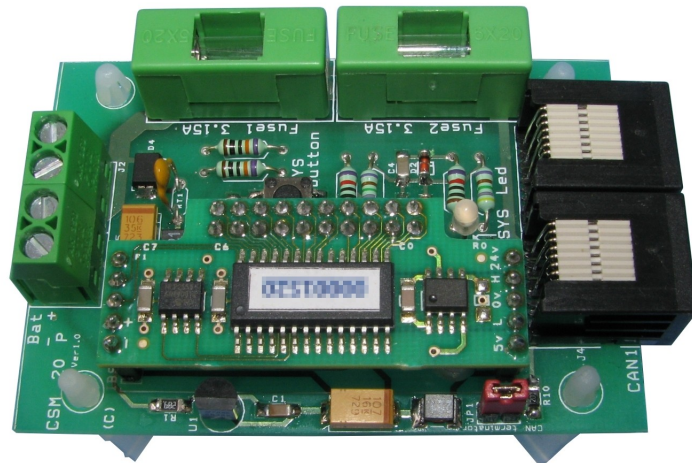


Intelligent Building Solutions

Installation Manual



CSM 20 P CIB-tech POWER SUPPLY MONITOR

- power supply attachment

CIB-tech

The CSM 20 P is a power supply monitor for IBS PS 24xx UPS type power supplies. If a CIB-tech system is powered using PS 24xx UPS type power supplies, the CSM 20 P can be used to monitor and log mains power outages and power failures for the CIB-tech system.

Additional equipment required

1. Functional CIB-tech system

A minimal number of essential CIB-tech components to make a functional CIB-tech system¹

2. PS 24xx UPS type power supply

The CIB-tech system must be powered using PS 24xx UPS power supply

Technical Specifications

Electrical characteristics

● Power Supply

The CSM 20 P is powered directly from the PS 24xx UPS which is also the CIB-tech system's power supply (or one of the system's power supplies);

- Operating voltage range: 20 to 28V DC (nominal 24V DC)
- Supply current
 - Standby current : 18mA
 - Maximum current: 25mA

● Power output (to CIB-tech backbone)

The CSM 20 P can be used to supply power to the rest of the CIB-tech system via its backbone connectors.

- Output voltage: Same as input voltage
- Maximum output current: 3A on each backbone connector;

Mechanical characteristics

The CSM 20 P has no enclosure of its own, it's an optional module installed in the PS 24xx UPS power supply.

- Dimensions: 80mm W x 55mm L x 30mm D
- Weight: 45g

Environmental characteristics

- Operating temperature: -10°C to 85°C
- Storage temperature: -25°C to 100°C

¹ See "CIB-tech installation manual" for details.

Key Features

- monitors CIB-tech system backup battery voltage, viewable via the CIB-tech system
- detects 4 distinct power states: on mains, on battery, on low battery (less than 15% battery power) and on critically low battery (less than 5% battery power)
- power state log (max. 10 incidents) with time stamps
- Internal bi-color LED, indicating the power state (green: on mains / red: on battery)

Installation

The CSM 20 P is meant to be installed inside PS 24xx UPS power supplies.

To install the device, just push the 4 snap fasteners through the pegboard case of the 230VAC to 24VDC power converter inside the PS 24xx UPS power supply.

Part description

- **LED:**
 - indicator LED for mains power state
- **Snap fastener:**
 - 4 snap fasteners used to install the device on the pegboard case of the 230VAC to 24VDC power converter
- **Sys button:**
 - pushbutton for CIB-tech system configuration
- **BB (backbone) bus connector 1:**
 - 8P8C (RJ45) modular jack connector for connecting the CSM 20 P device to the backbone of the CIB-tech network.
 - Power can be delivered to other CIB-tech devices (mostly CIB-tech hubs) via this connector if fuse 1 is installed
- **BB (backbone) bus connector 2:**
 - 8P8C (RJ45) modular jack connector for connecting the CSM 20 P device to the backbone of the CIB-tech network.
 - Power can be delivered to other CIB-tech devices (mostly CIB-tech hubs) via this connector if fuse 2 is installed
- **Fuse 1:**
 - Fuse holder with 3.15A fuse, protecting devices connected to BB bus connector 1

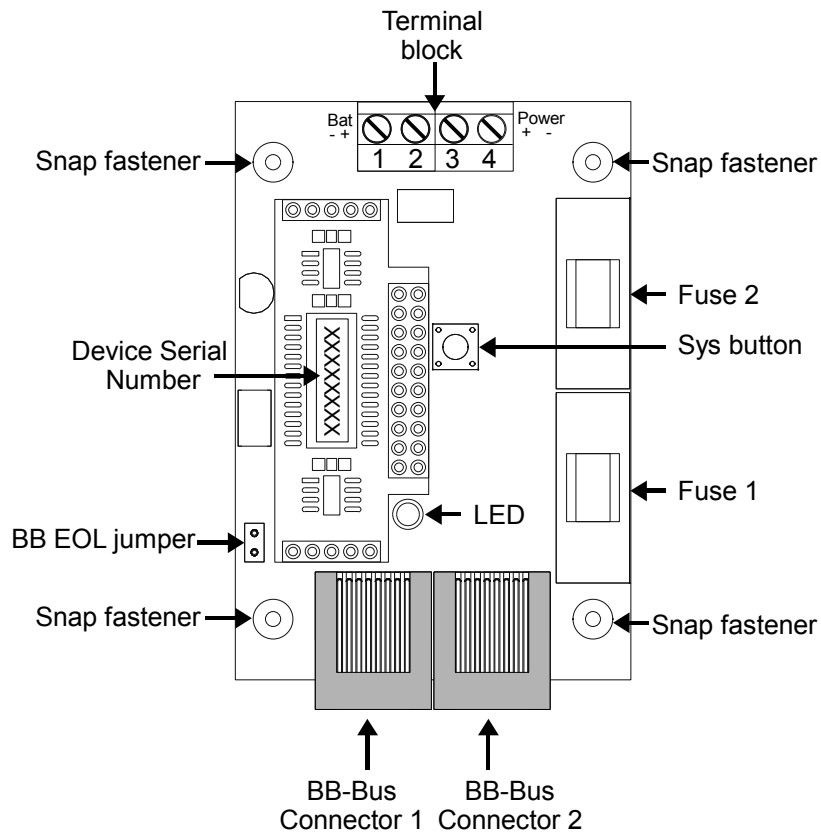
NOTE: If the CIB-tech devices connected to BB bus connector 1 are powered from elsewhere, fuse 1 must be removed

- **Fuse 2:**
 - Fuse holder with 3.15A fuse, protecting devices connected to BB bus connector 2;

NOTE: If the CIB-tech devices connected to BB bus connector 2 are powered from elsewhere, fuse 2 must be removed

- **BB-EOL jumper:**
 - End Of Line jumper for the CIB-tech system's backbone bus¹
- **Device serial number:**
 - Unique serial number; used to identify every CIB-tech device, this number is also electronically encoded in the device
- **Terminal block:** terminals for connecting the PS 24xx UPS power supply:
 1. Battery (-)
 2. Battery (+)
 3. Supply (+)
 4. Supply (-)

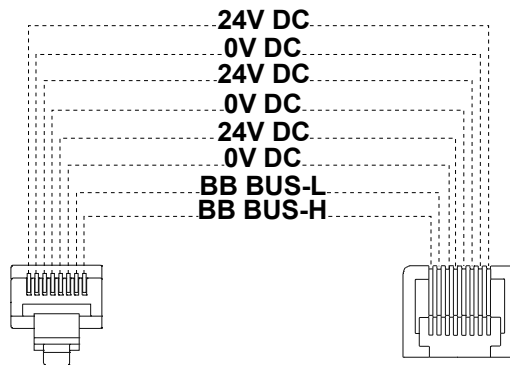
¹ See "CIB-tech installation manual" for details.



Wiring diagrams

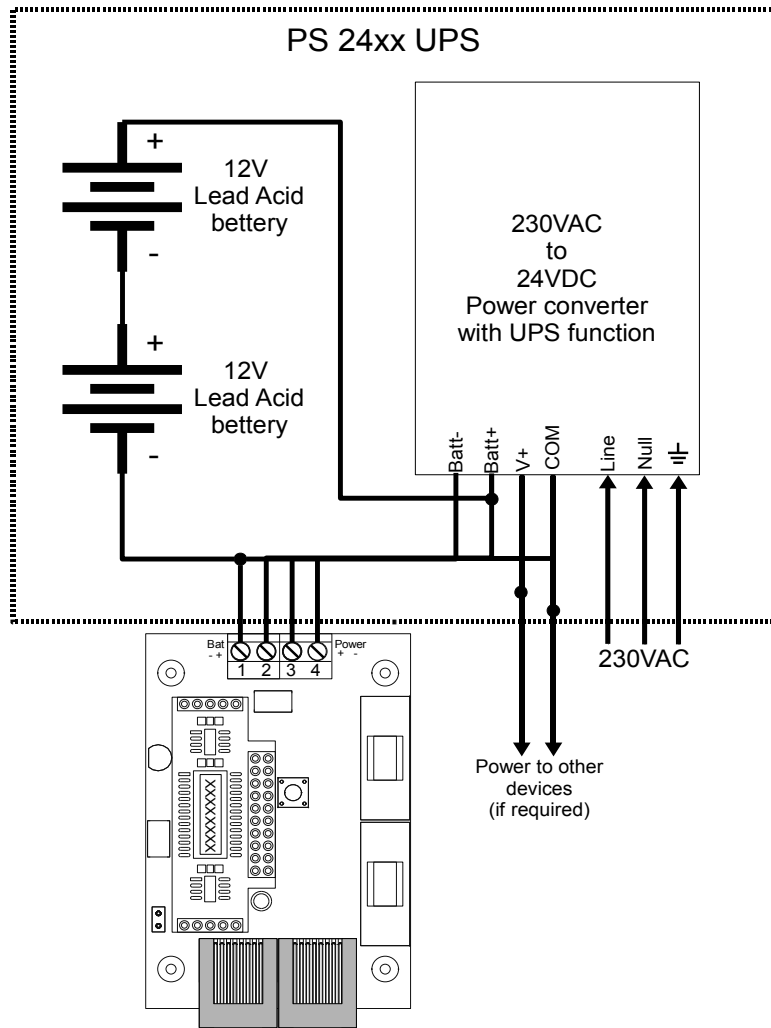
Connection to the backbone bus of the CIB-tech system:

Use the CSM 20 P device's two 8P8C (RJ45) modular jack connectors to connect it to the CIB-tech systems (chain like) backbone bus. Do not forget to remove the BB-EOL jumper if the device is not the last element of the backbone¹

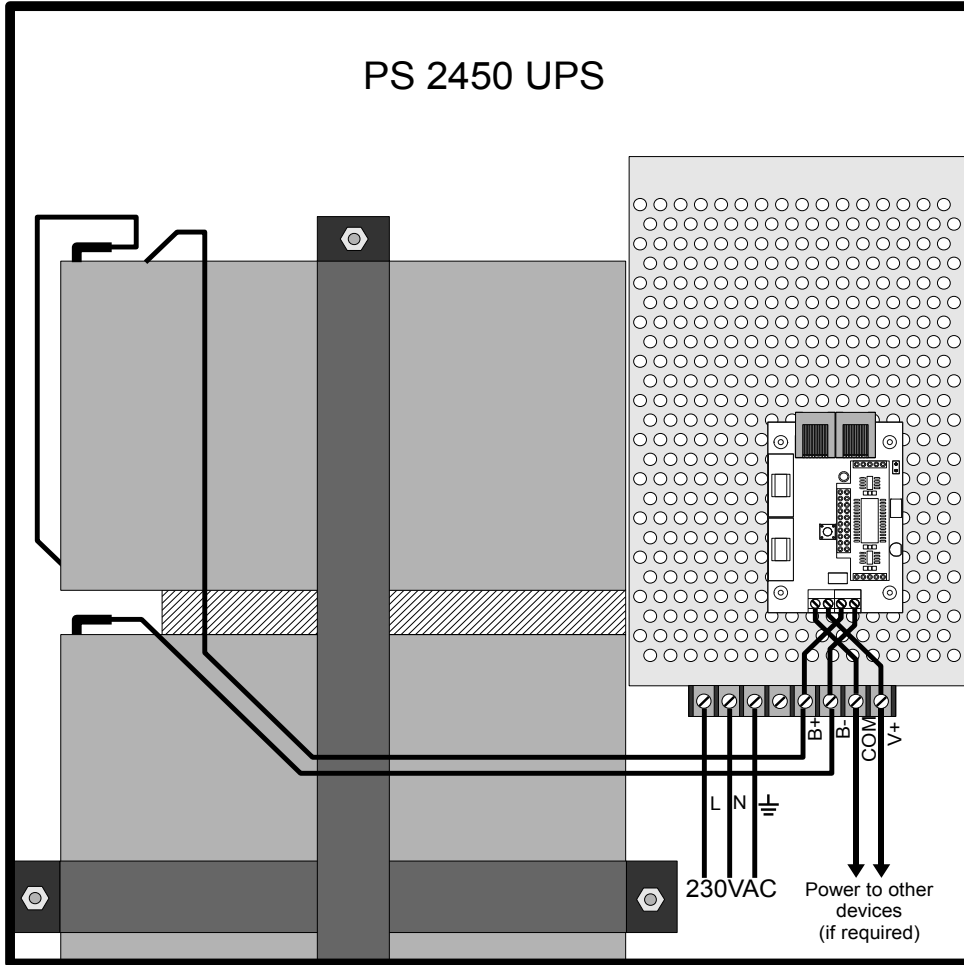


¹ See "CIB-tech installation manual" for details.

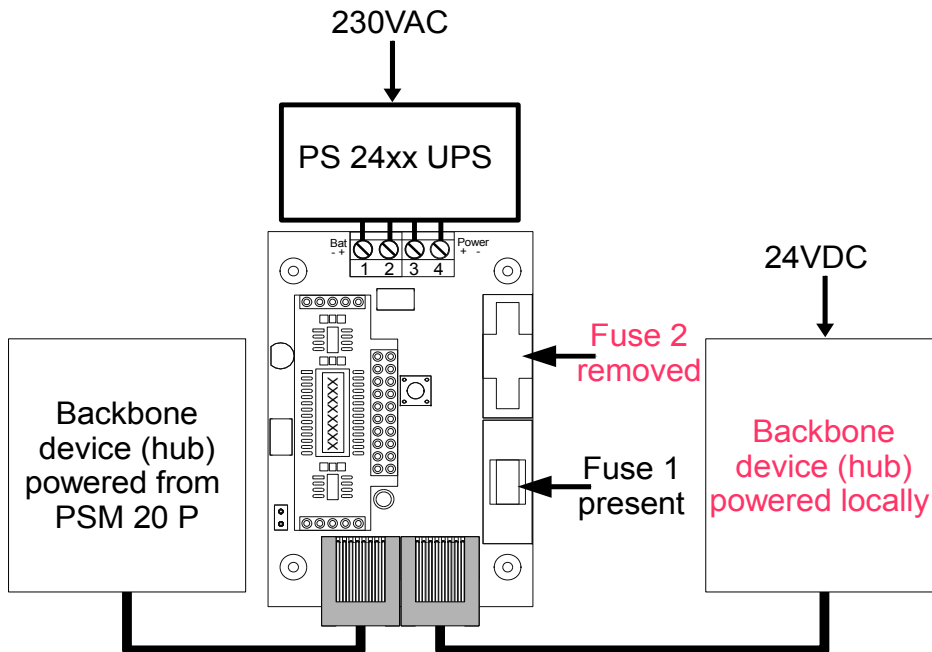
Connecting the PS 24xx UPS power supply:



Connection example to PS 2450 UPS:



Connection example to the CIB-tech systems back-bone and setting fuses:



Technical Support:

<http://www.ibs-smarthouse.com/>
info@ibs-smarthouse.com

All trademarks used in this document are properties of their respective owners.

[The manufacturer reserves the right to change the technical features of this product without prior notice.](#)