

Intelligent Building Solutions

Technical Description



BL 1C 2RJ9 RJ9 Bus Linker

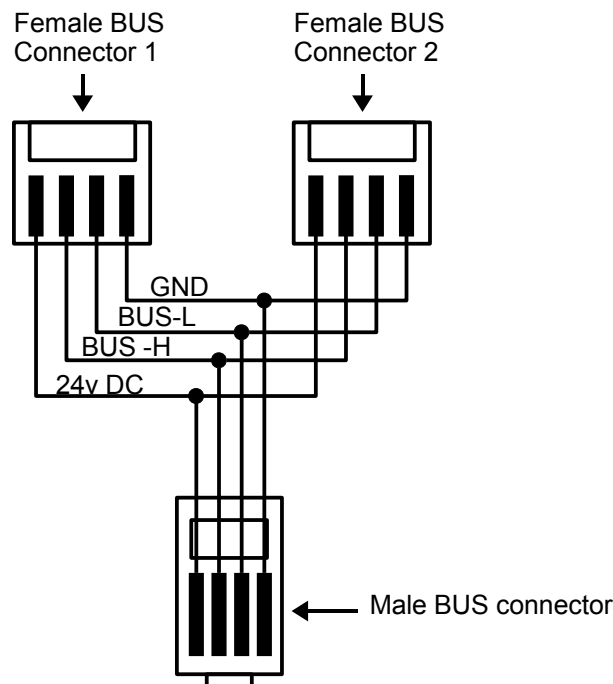
Accessory for
CIB-tech

The BL 1C 2RJ9 RJ9 is a simple adapter for connecting CIB-tech devices with only one bus connector to the chain like CIB-tech bus. CIB-tech Devices with only one bus connector are designed to be connected as a single device on a CIB-tech Hub's bus line, or as the last device of a CIB-tech bus line. Using the BL 1C 2RJ9 RJ9 bus linker, any CIB-tech devices with only one bus connector can be inserted at any given point on a CIB-tech bus line, just as CIB-tech devices with two bus connectors.¹

NOTE: The BL 1C 2RJ9 RJ9 bus linker may **NOT** be used to connect CIB-tech devices with two bus connectors, its male 4p4c bus connector may **NOT** be connected to a CIB-tech hub and it might **NOT** be used in any other way that changes the CIB-tech bus lines linear structure.

Technical Information

Equivalent electrical drawing:



Part description

- **Male BUS connector:** 4p4c modular jack – to be connected to a CIB-tech device with a single bus connector
- **Female BUS connector 1:** 4P4C modular jack connector - to be connected to a CIB-tech bus line
- **Female BUS connector 2:** 4P4C modular jack connector - to be connected to a CIB-tech bus line

Mechanical characteristics

- Dimensions: 80-130mm W x 24mm L x 16mm D
- Weight: 10g

Document Version 1.0

Technical Support:
<http://www.ibs-smarthouse.com/>
info@ibs-smarthouse.com

All trademarks used in this document are properties of their respective owners.
[The manufacturer reserves the right to change the technical features of this product without prior notice.](#)

¹See “CIB-tech installation manual” for details.