

Intelligent Building Solutions

Technical Description



PI RJ9 C **Power Injector** Surface mounting

Accessory for
CIB-tech

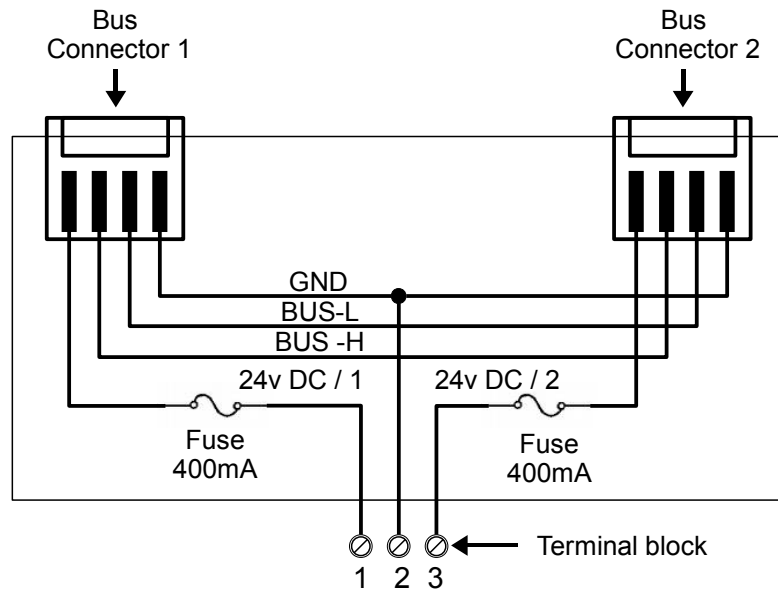
The PI RJ9 C is a surface mounted power injector for the CIB-tech system. It is intended as a power supply point for a small, chain-type CIB-tech system with a maximum power consumption of 800mA. Both of its bus line connectors and protected by self-resetting fuses; either both or just one of them can be powered (by leaving one of the power input terminals unconnected), in which case PI RJ9 C effectively divides the network into two segments with different power supplies, only one of them being powered by the PI RJ9 C itself.¹

Technical Specifications

Electrical characteristics

- Input voltage range (for CIB-tech bus line power): 20 to 28V DC (nominal 24V DC)
- Maximum output current via each bus connectors: 400mA

Equivalent electrical drawing:



Mechanical characteristics

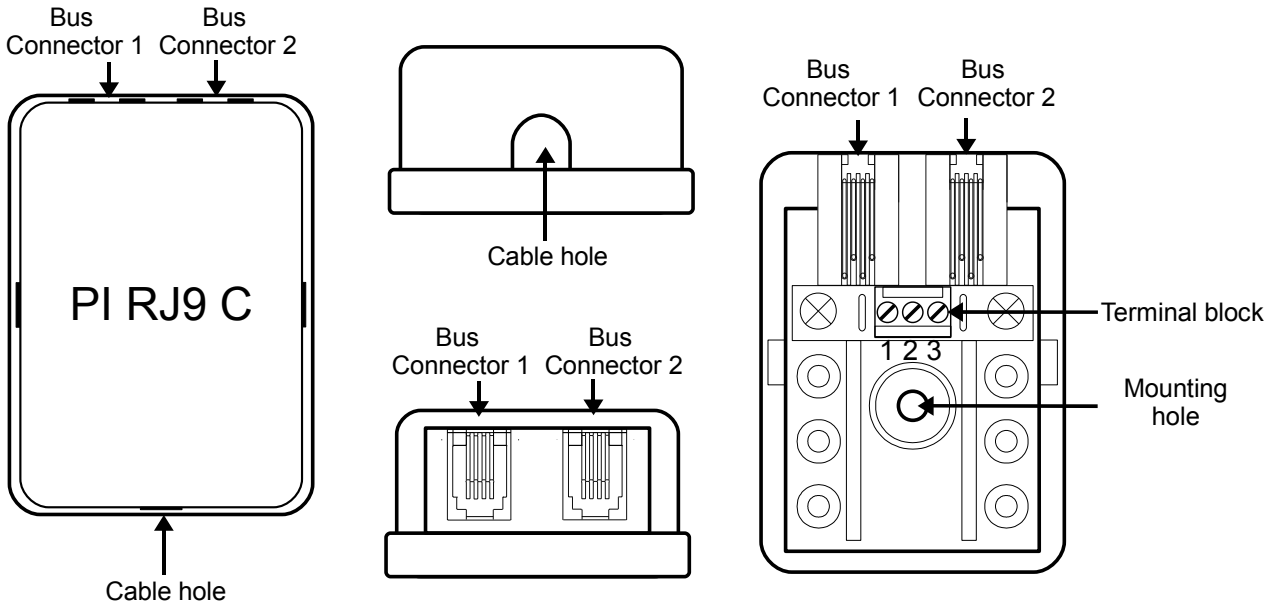
- Dimensions: 58mm W x 42mm L x 23mm D
- Weight: 25g

Part description

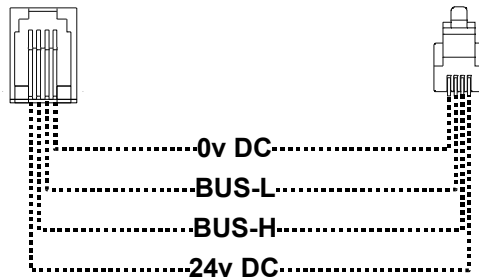
- **Cable hole:** cable entry hole for supply cable
- **Mounting holes:** holes for mounting the device on a flat surface;
- **Bus connector 1:** 4P4C modular jack connector for CIB-tech bus segment 1
- **Bus connector 2:** 4P4C modular jack connector for CIB-tech bus segment 2
- **Terminal block:** for power input connection (see equivalent electrical drawing for details)
 1. +24v DC for CIB-tech bus segment 1
 2. Common GND
 3. +24v DC for CIB-tech bus segment 2

¹See “CIB-tech installation manual” for details.

Mechanical drawings



BUS connector pinout



Document Version 1.0

Technical Support:
<http://www.ibs-smarthouse.com/>
info@ibs-smarthouse.com

All trademarks used in this document are properties of their respective owners.
[The manufacturer reserves the right to change the technical features of this product without prior notice.](#)