

Intelligent Building Solutions

Technical Description



PI RJ9 D POWER INJECTOR

- DIN-rail mounting

Accessory for

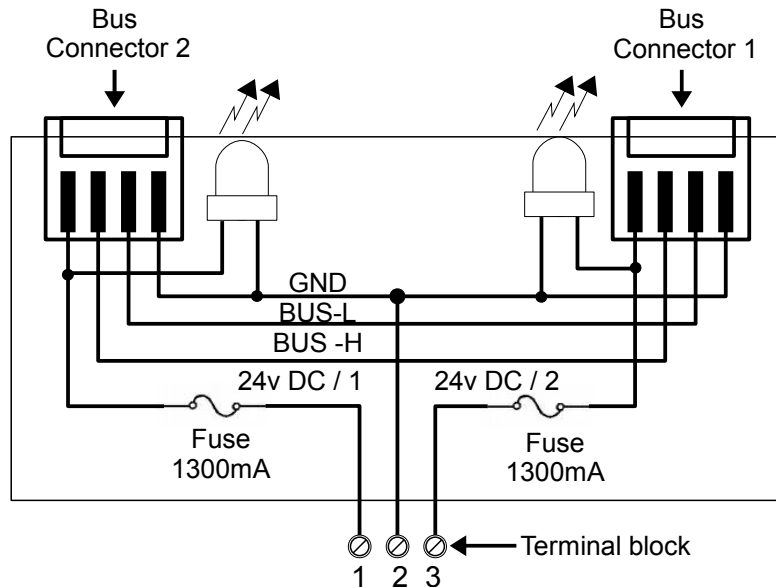
CIB-tech

The PI RJ9 D is a DIN-Rail mounted power injector for the CIB-tech system. It can be used to power equipments on a CIB-tech bus line or it can power a CIB-tech system in case of linear (HUB-less) installation. It can be used to insert power to one or both directions on a CIB-tech bus line or to separate two power sources present on the same CIB-tech bus line.¹

Electrical characteristics

- Input voltage range (for CIB-tech bus line power): 16 to 28V DC (nominal 24V DC)
- Maximum output current via each bus connectors 1A

Equivalent electrical drawing:



Mechanical characteristics

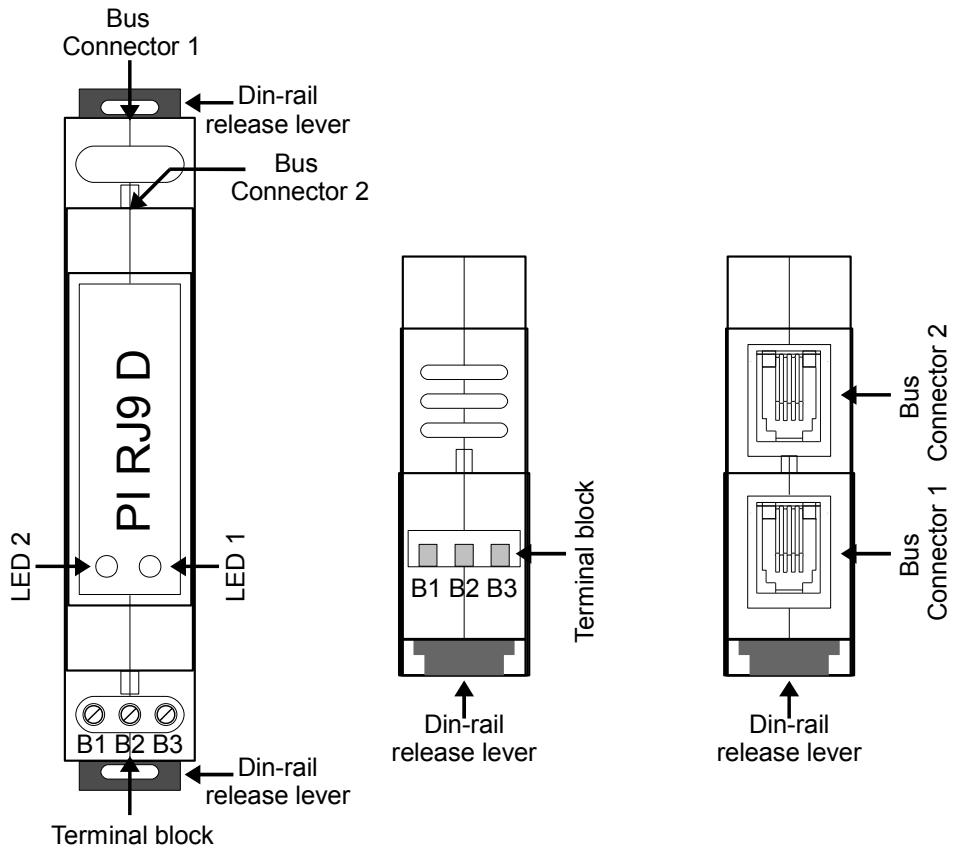
- Dimensions: 95mm W x 18mm L x 58mm D
- Weight: 42g

Part description

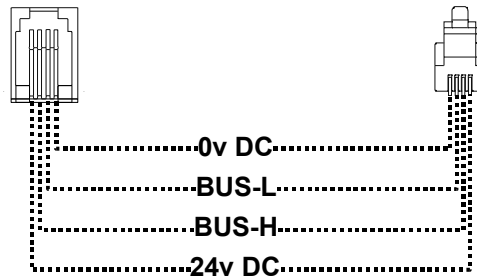
- **DIN-rail release lever:** lever for removing the device from the M36 DIN-Rail
- **Bus connector 1:** 4P4C modular jack connector for CIB-tech connection on BUS part 1
- **Bus connector 2:** 4P4C modular jack connector for CIB-tech connection on BUS part 2
- **LED1:** Indicating BUS part1 has power
- **LED2:** Indicating BUS part2 has power
- **Terminal block:** for power input connection (see equivalent electrical drawing for details)
 1. +24v DC for CIB-tech BUS part 2
 2. Common GND
 3. +24v DC for CIB-tech BUS part 1

¹See “CIB-tech installation manual” for details.

Mechanical drawings



BUS connector pinout



Document Version 1.0

Technical Support:
<http://www.ibs-smarthouse.com/>
info@ibs-smarthouse.com

All trademarks used in this document are properties of their respective owners.
 The manufacturer reserves the right to change the technical features of this product without prior notice.