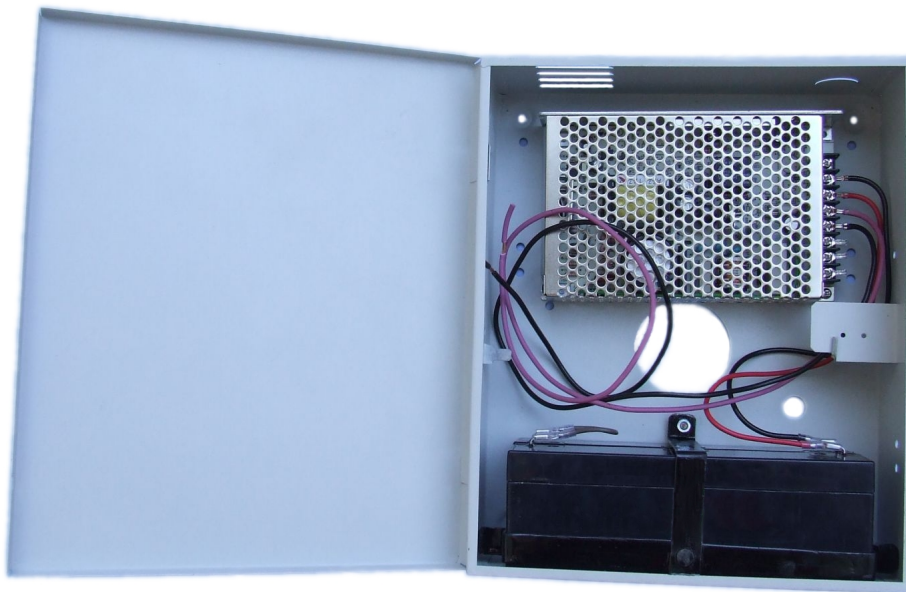


Intelligent Building Solutions

Technical Description



PS 2418 UPS **CIB-tech Power Supply** Surface mounting

Accessory for
CIB-tech

The PS 2418 UPS is an uninterrupted power supply designed to power the CIB-tech network.

Technical Specifications

Electrical characteristics:

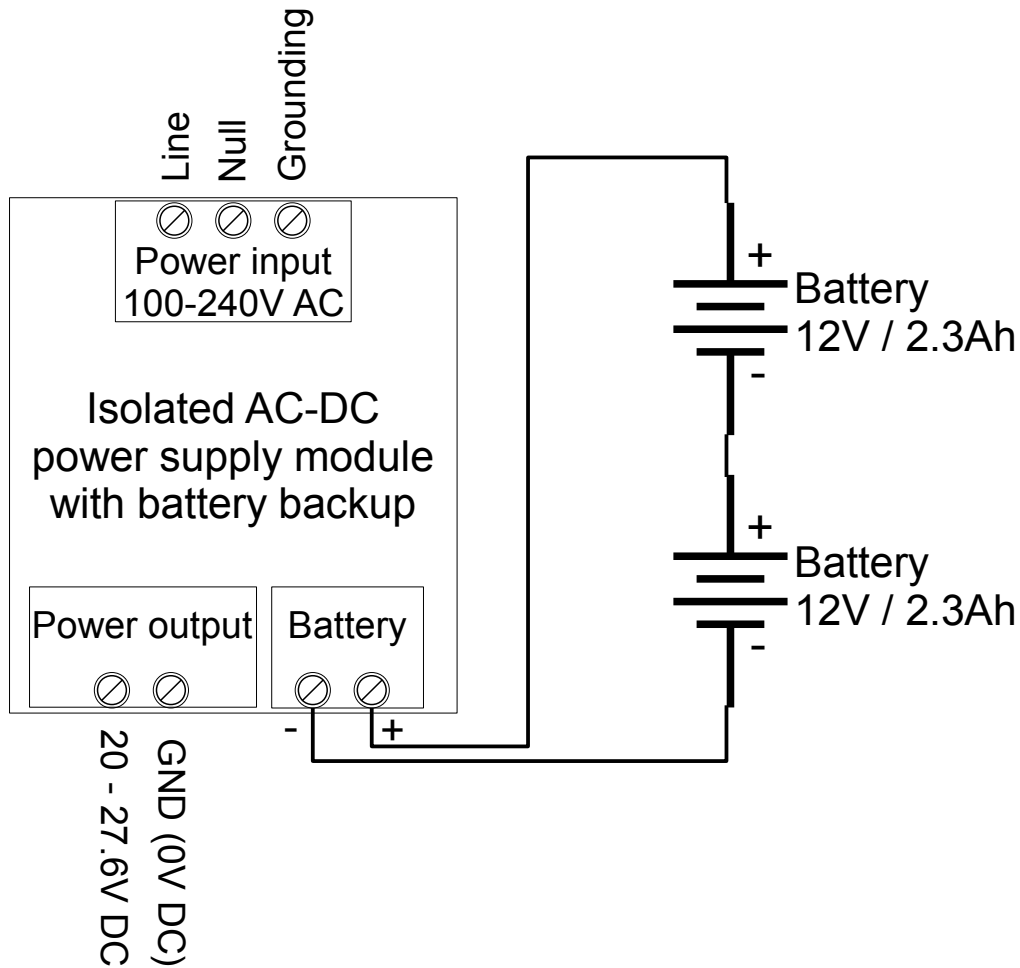
- **Input power (mains)**
 - Input voltage range: 100-240V AC
 - Line frequency: 50-60Hz

- **Output power:**
 - Nominal voltage (mains power present): 27.6V DC
 - Voltage range (on battery) 20-27V DC
 - Maximum supplied current 1.8A

- **Battery:**
 - Type: Gel-type Lead-Acid battery
 - Nominal voltage: 12V DC
 - Nominal capacity: 2.3Ah
 - Size: 177x34x60mm
 - Quantity: 2pcs
 - Connection type: Series
 - Charging current: 0.16A

NOTE: To protect the battery from permanent damage, if the battery voltage drops below 20V the output is automatically disconnected. The output will only be reconnected if the input voltage returns in the nominal range.

Equivalent electrical drawing:



Mechanical characteristics

- Dimensions: 235mm W x 210mm L x 78mm D
- Weight: 3.5Kg

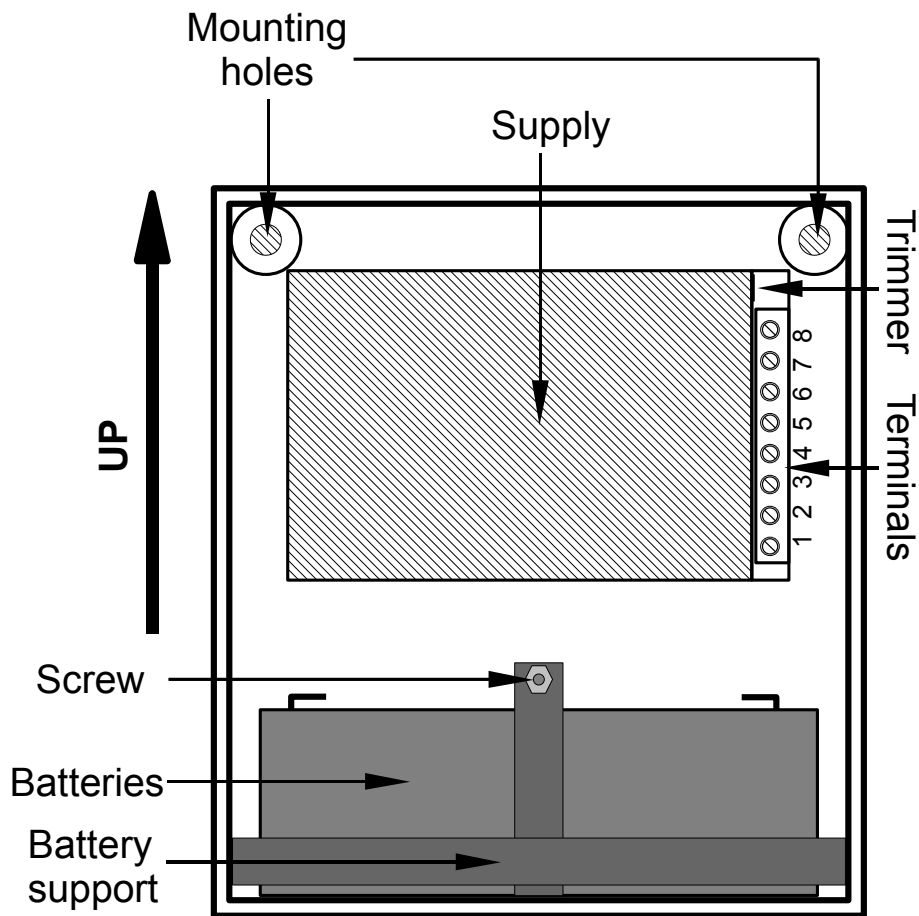
Part description

- **Mounting holes:** Holes for mounting the PS 2418 UPS. The PS 2418 UPS must be mounted vertically (note the arrow with the up sign on the drawing)¹
- **Batteries:** Two 12V / 2.3Ah Gel-type Lead-Acid rechargeable batteries;
- **Battery support:** Support securing the batteries;
- **Screw:** M4 screw for securing the battery support;
- **Supply:** Isolated AC-DC power supply module with battery backup;
 - **Trimmer:** Trimmer for adjusting the output voltage/charge voltage of the power supply².
 - **Terminals:** Terminals for connecting the wires
 1. Mains – Line
 2. Mains – Null
 3. Mains – Grounding
 4. Output power – GND (0V DC)
 5. Output power - +20 – 27,6V DC

1 Although the batteries are sealed and won't leak, proper functioning will be compromised if they are not used in the normal, upright position.
 2 The power supply is factory calibrated, normally there is no need for any adjustment on the trimmer. Setting the output/charging voltage to an incorrect value may damage the batteries and even some components of the CIB-tech system.

6. Battery + (pre-wired to the battery)
7. Battery - (pre-wired to the battery)
8. Not connecting

Mechanical drawings



Maintenance

The Lead-Acid batteries used in the PS 2418 UPS have a limited lifetime and they have to be replaced periodically. Typically this period is determined in years of operation and it varies depending on operating temperature, charge-discharge cycle intensity etc. If the backup time delivered by the PS 2418 UPS in case of mains loss becomes significantly reduced, consider replacing the batteries with equivalent new ones.

To replace the batteries:

1. Disconnect the PS 2418 UPS from the mains;
2. Disconnect the batteries from the power supply (pull off the female terminal from the batteries);
3. Unscrew the battery support fixing screws and remove the battery support.
4. Replace the batteries¹;
5. Mount and tighten the battery support;
6. Connect the batteries to the power supply;
7. Reconnect the PS 2418 UPS to the mains;

¹ Use only the same type of battery: Gel-Type Lead-Acid rechargeable battery, 12V / 2.3Ah, Size:177x34x60mm

Technical Support:

<http://www.ibs-smarthouse.com/>
info@ibs-smarthouse.com

All trademarks used in this document are properties of their respective owners.

[The manufacturer reserves the right to change the technical features of this product without prior notice.](#)