

Intelligent Building Solutions

Technical Description



BSD 10 DM **Push-Button** DIN-rail mounting

Accessory for
CIB-tech

The BSD 10 DM is a simple DIN-rail mounted push button with two normal open contacts. It should be used with any CIB-tech device which may require a simple contact to control it, such as CSW xxxx XXX (CIB-tech switch) or CDM xxxx XXX (CIB-tech dimmer) devices.

Technical Specifications

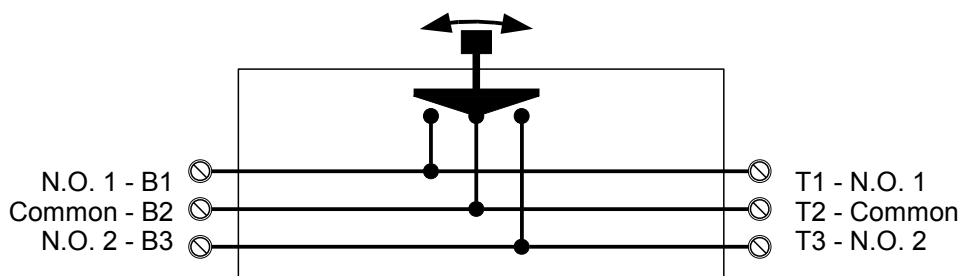
Electrical characteristics

- **Contact output**

Two N.O. (normally open) contacts¹

- Rated voltage: 250V AC / 30V DC
- Rated current: 1A

Equivalent electrical drawing:



Mechanical characteristics

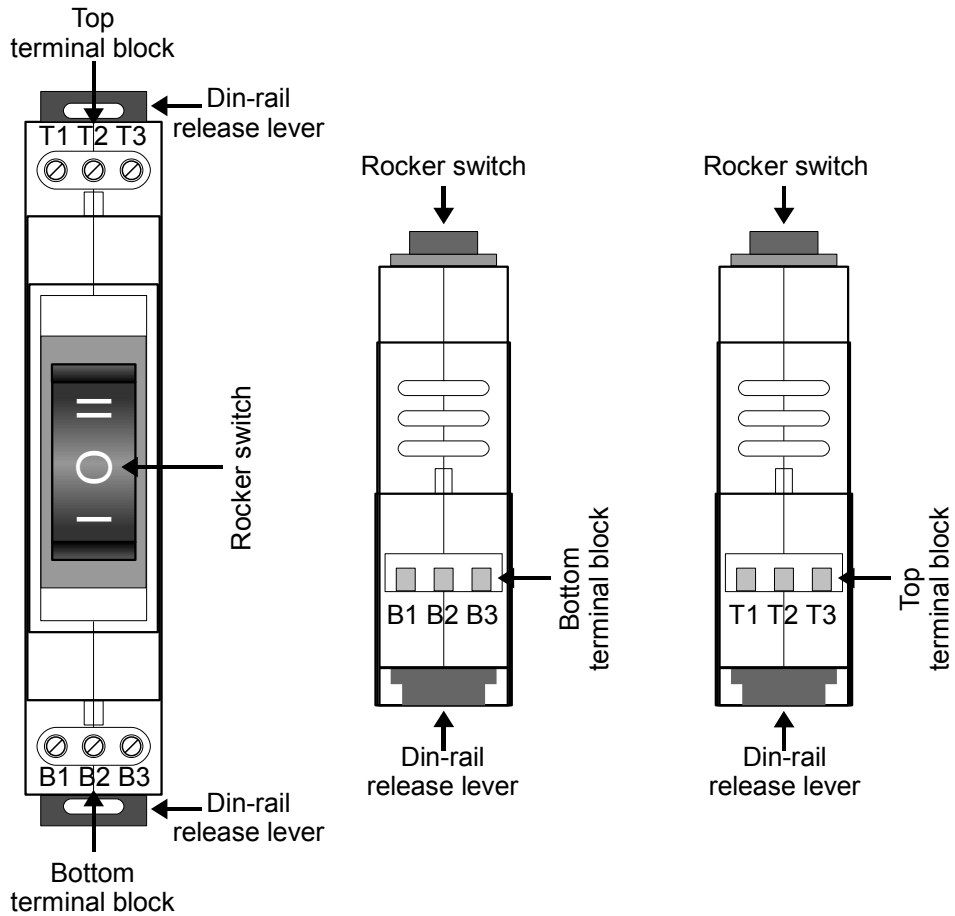
The BSD 10 DM has a standard 1-module wide enclosure for M36 type DIN-Rail

- Dimensions: 96mm W x 18mm L x 62mm D
- Weight: 45g

Mechanical description

- **Rocker switch:**
 - double switch with N.O. contacts
- **DIN-Rail release lever:**
 - lever for removing the device from the M36 DIN-Rail
- **Top terminal block:** (see equivalent electrical drawing for details)
 - T1. N.O. contact 1
 - T2. Common contact
 - T3. N.O. contact 2
- **Bottom terminal block:** (see equivalent electrical drawing for details)
 - B1. N.O. contact 1
 - B2. Common contact
 - B3. N.O. contact 2

¹ Normally both contacts are open. At one time only one of the contacts can be active.



Technical Support:
<http://www.ibs-smarthouse.com/>
info@ibs-smarthouse.com

All trademarks used in this document are properties of their respective owners.
[The manufacturer reserves the right to change the technical features of this product without prior notice.](#)