

Intelligent Building Solutions

Technical Description



PI RJ9 J **Power Injector** surface mounting

Accessory for
CIB-tech

The PI RJ9 J is a power injector for the CIB-tech system. It is intended as a power supply point for a small, chain-type CIB-tech system with a maximum power consumption of 800mA. Both of its bus line connectors are powered and protected by self-resetting fuses.

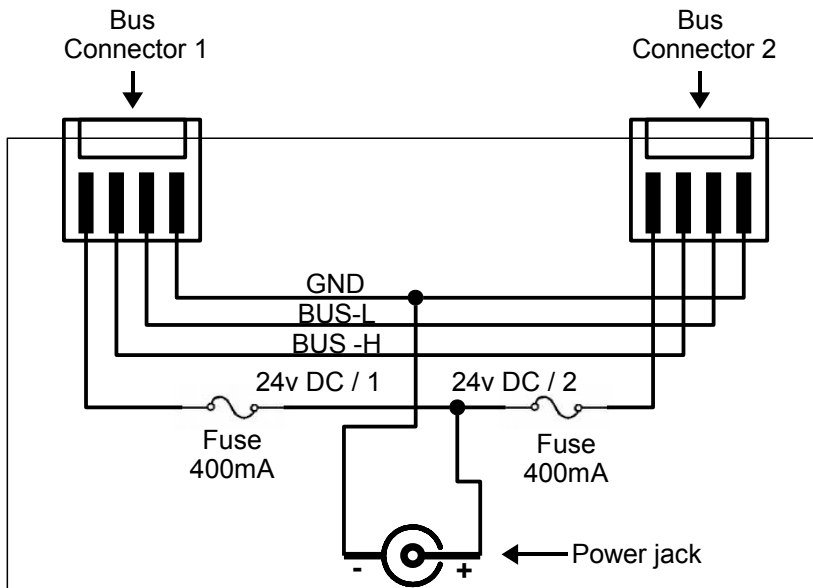
NOTE: The PI RJ9 J is an extension of the PI RJ9 C device. It is in fact a PI RJ9 C device with a built in power jack connector.

Technical Specifications

Electrical characteristics

- Input voltage range (for CIB-tech bus line power): 20 to 28V DC (nominal 24V DC)
- Maximum output current via each bus connector: 400mA

Equivalent electrical drawing:

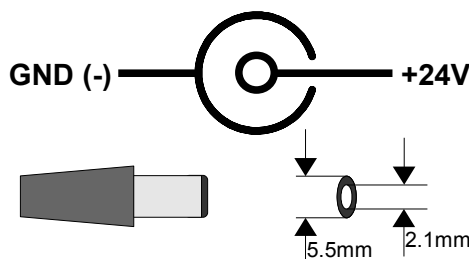


Mechanical characteristics

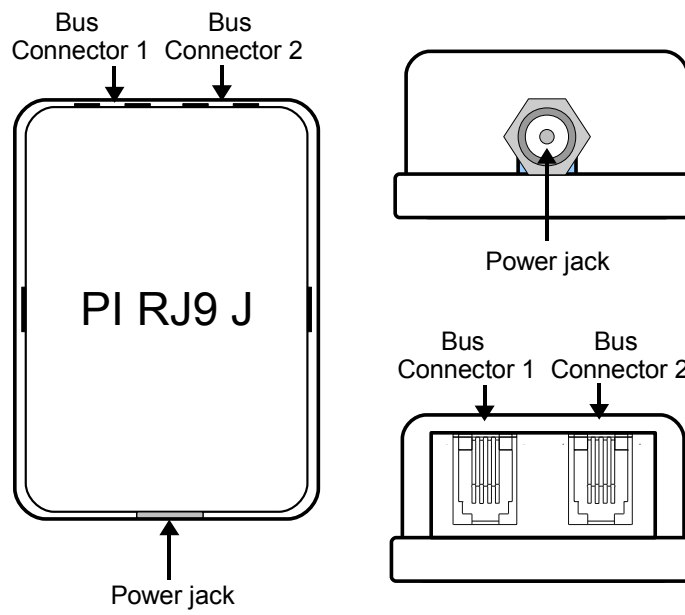
- Dimensions: 58mm W x 42mm L x 23mm D
- Weight: 27g

Part description

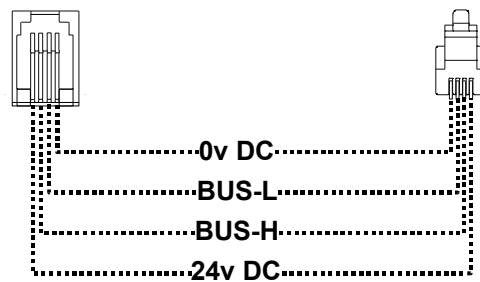
- **Bus connector 1:** 4P4C modular jack connector for CIB-tech bus segment 1
- **Bus connector 2:** 4P4C modular jack connector for CIB-tech bus segment 2
- **Power jack:** 2.1mm female power jack connector (see drawing below for matching male connector)



Mechanical drawings



BUS connector pinout



Document Version 1.0

Technical Support:
<http://www.ibs-smarthouse.com/>
info@ibs-smarthouse.com

All trademarks used in this document are properties of their respective owners.
[The manufacturer reserves the right to change the technical features of this product without prior notice.](#)