

Intelligent Building Solutions

Technical Description



PS 1213 D **12V AC-DC Power Supply** DIN-rail mounting, non-regulated

Accessory for
CIB-tech

The PS 1213 D is a general purpose power supply designed for powering electric door locks used with CIB-tech access control units¹. It has both AC and DC outputs, and includes an internal suppressor diode to protect the access control units relay output.

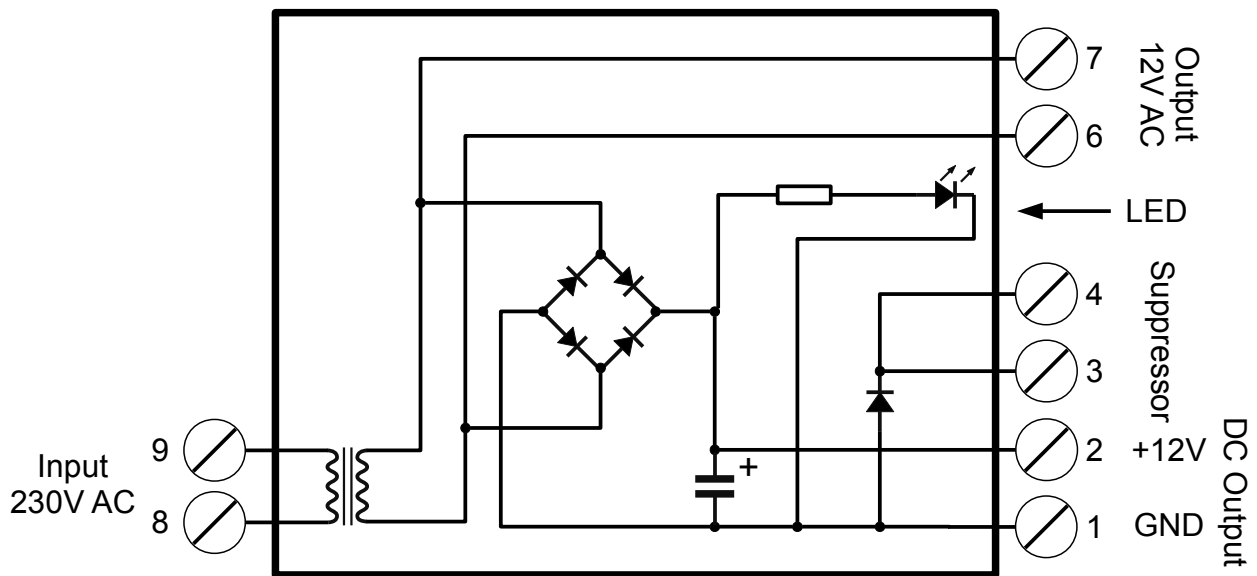
Technical Specifications

Electrical characteristics:

- **Input power (mains)**
 - Input voltage range: 240V AC
 - Rated input current: 0.15A
 - Line frequency: 50Hz

- **Output power:**
 - Nominal AC voltage: 12V AC
 - Nominal DC voltage: 12V DC - Non-regulated
 - Maximum current (AC + DC): 1.3A

Equivalent electrical drawing:



Mechanical characteristics

- Dimensions: 90mm W x 52mm L x 59mm D
- Weight: 520g

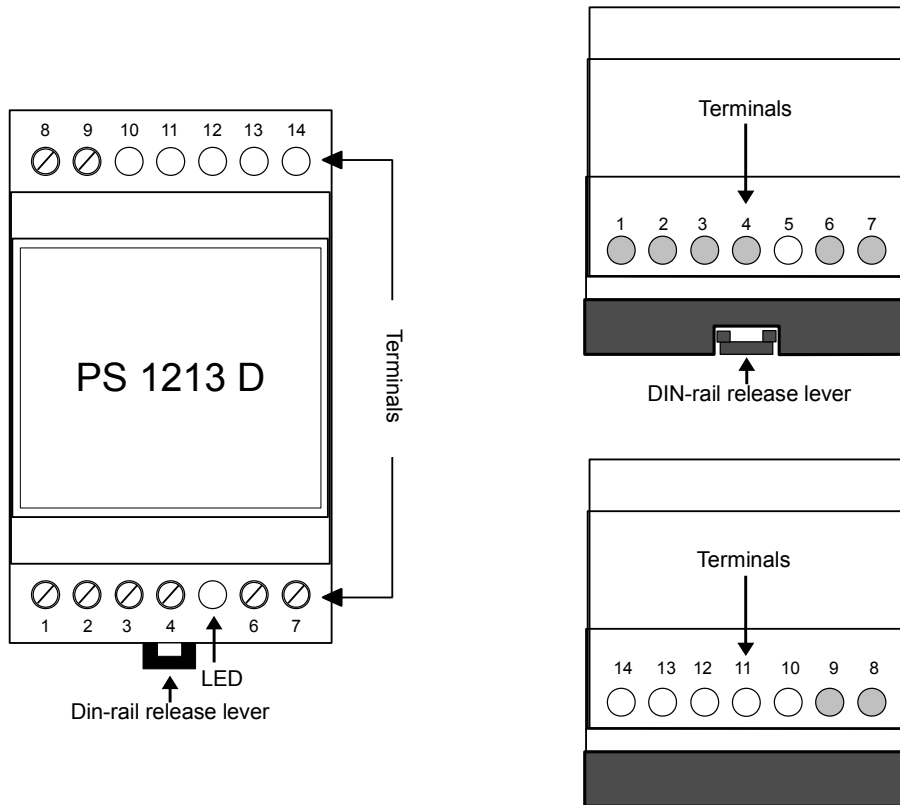
Part description

- **LED:** Green LED, indicating the presence of output voltage;
- **DIN-Rail release lever:** lever for removing the device from the M36 DIN-Rail;
- **Terminals:** Terminals for connecting the wires
 1. DC Output - GND
 2. DC Output - +12V DC
 3. Suppressor diode contact (common with terminal 4)
 4. Suppressor diode contact (common with terminal 3)
 5. Not a terminal
 6. AC Output – 12V AC - Contact 1
 7. AC Output – 12V AC - Contact 2

¹ See IBS equipment list for available access control units. Ex: CAP 2020 DR, CAP 2020 DRH, etc

- 8. AC Input – 230V AC – Contact 1
- 9. AC Input – 230V AC – Contact 2
- 10. - 14. - Not terminals

Mechanical drawings



Document Version 1.0

Technical Support:
<http://www.ibs-smarthouse.com/>
info@ibs-smarthouse.com

All trademarks used in this document are properties of their respective owners.
[The manufacturer reserves the right to change the technical features of this product without prior notice.](#)