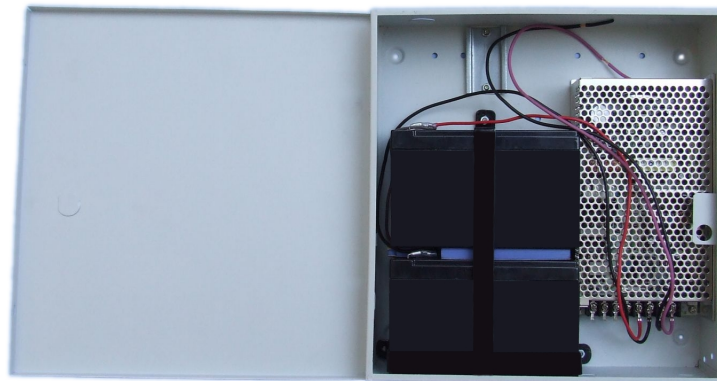


Intelligent Building Solutions

Technical Description



PS 2450 UPS **CIB-tech Power Supply** Surface mounting

Accessory for
CIB-tech

The PS 2450 UPS is an uninterrupted power supply designed to power the CIB-tech network.

Technical Specifications

Electrical characteristics

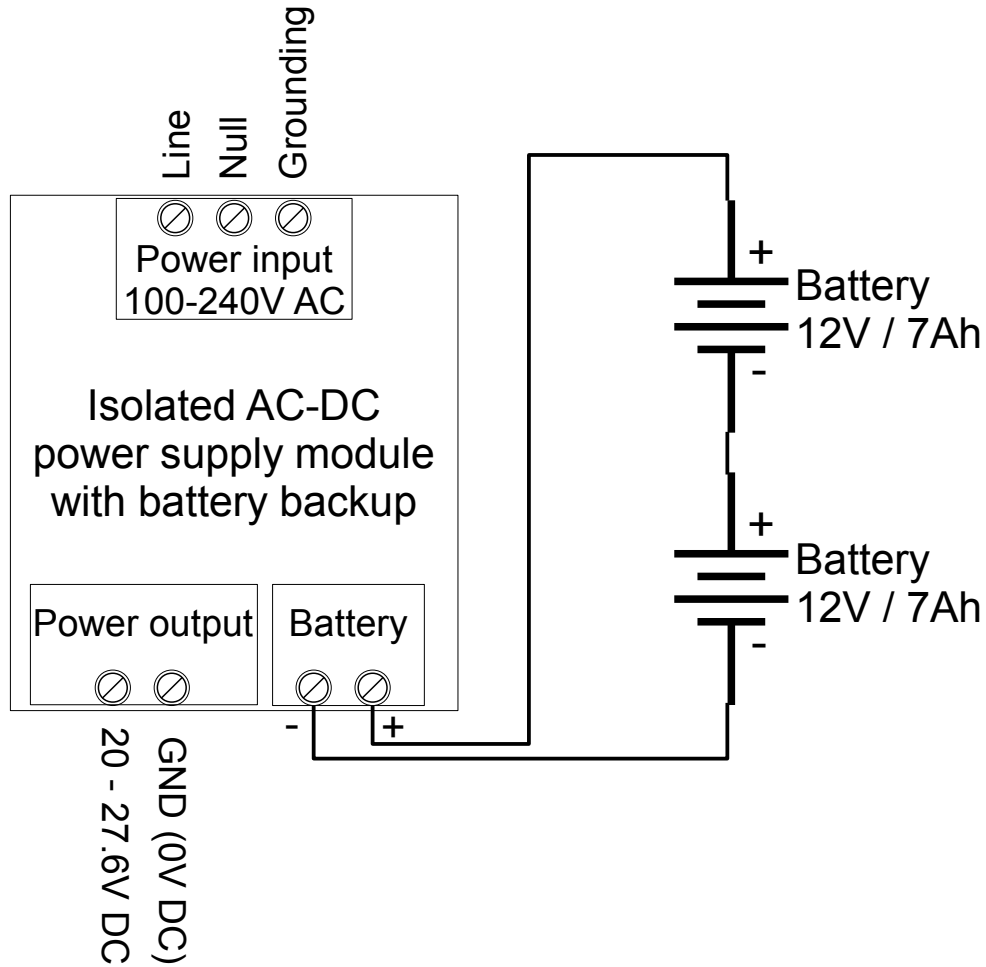
- **Input power (mains)**
 - Input voltage range: 100-240V AC
 - Line frequency: 50-60Hz

- **Output power:**
 - Nominal voltage (mains power present): 27.6V DC
 - Voltage range (on battery) 20-27V DC
 - Maximum supplied current 5A

- **Battery:**
 - Type: Gel-type Lead-Acid battery
 - Nominal voltage: 12V DC
 - Nominal capacity: 7Ah
 - Size: 151x65x94mm
 - Quantity: 2pcs
 - Connection type: Series
 - Charging current: 0.5A

NOTE: To protect the battery from permanent damage, if the battery voltage drops below 20V the output is automatically disconnected. The output will only be reconnected if the input voltage returns in the nominal range.

Equivalent electrical drawing:



Mechanical characteristics

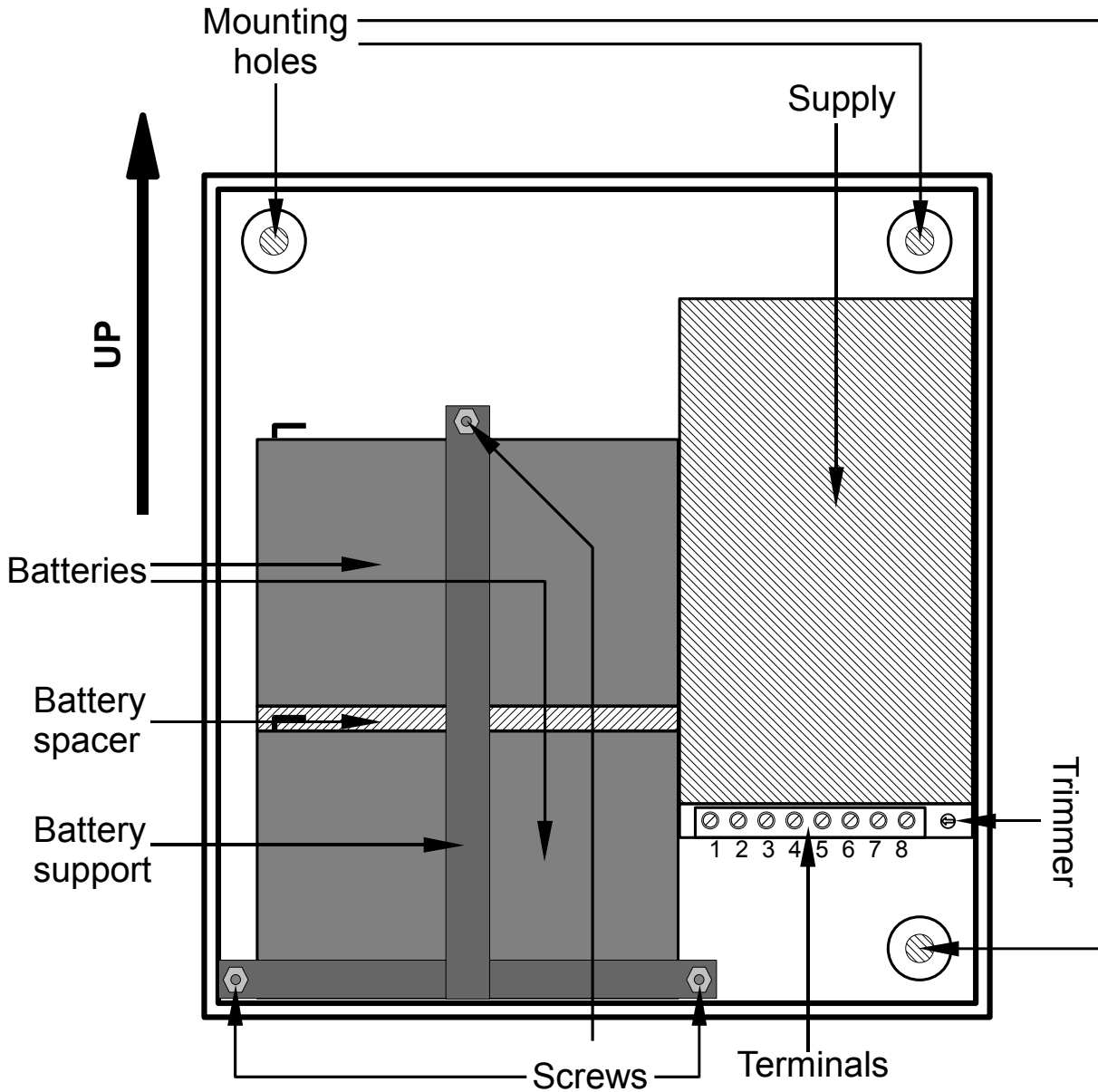
- Dimensions: 298mm W x 288mm L x 78mm D
- Weight: 7Kg

Part description

- **Mounting holes:** Holes for mounting the PS 2450 UPS. The PS 2450 UPS must be mounted vertically (note the arrow with the up sign on the drawing)¹
- **Batteries:** Two 12V / 7Ah Gel-type Lead-Acid rechargeable batteries;
- **Battery spacer:** Spacer for stacking the batteries without damaging the battery terminals;
- **Battery support:** Support securing the batteries;
- **Screws:** Three M4 screws securing the battery support;

¹ Although the batteries are sealed and won't leak, proper functioning will be compromised if they are not used in the normal, upright position.

Mechanical drawings



- **Supply:** Isolated AC-DC power supply module with battery backup;
- **Trimmer:** Trimmer for adjusting the output voltage/charge voltage of the power supply¹.
- **Terminals:** Terminals for connecting the wires
 1. Mains – Line
 2. Mains – Null
 3. Mains – Grounding
 4. No Connection
 5. Battery + (pre-wired to the battery)
 6. Battery - (pre-wired to the battery)
 7. Output power – GND (0V DC)
 8. Output power - +20 – 27,6V DC

¹ The power supply is factory calibrated, normally there is no need for any adjustment on the trimmer. Setting the output/charging voltage to an incorrect value may damage the batteries and even some components of the CIB-tech system.

Maintenance

The Lead-Acid batteries used in the PS 2450 UPS have a limited lifetime and they have to be replaced periodically. Typically this period is determined in years of operation and it varies depending on operating temperature, charge-discharge cycle intensity etc. If the backup time delivered by the PS 2450 UPS in case of mains loss becomes significantly reduced, consider replacing the batteries with equivalent new ones.

To replace the batteries:

1. Disconnect the PS 2450 UPS from the mains;
2. Disconnect the batteries from the power supply (pull off the female terminal from the batteries);
3. Unscrew the three battery support fixing screws and remove the battery support.
4. Replace the batteries¹. Connect the wires to the lower battery before placing back the battery spacer and the upper battery;
5. Mount and tighten the battery support using the three screws;
6. Connect the batteries to the power supply;
7. Reconnect the PS 2450 UPS to the mains;

Document Version 1.0

Technical Support:

<http://www.ibs-smarthouse.com/>
info@ibs-smarthouse.com

All trademarks used in this document are properties of their respective owners.

The manufacturer reserves the right to change the technical features of this product without prior notice.

¹ Use only the same type of battery: Gel-Type Lead-Acid rechargeable battery, 12V / 7Ah, Size:151x65x94mm