

Intelligent Building Solutions

Technical Description



RFE 10 F **RFID Card Holder** Flush mounting

Accessory for
CIB-tech

The RFE 10 F is a flush mounted RFID card holder / reader that can be used with the CAP 2020 DRH¹ device for advanced hotel room power management. It is an RFID card holder with a built-in card reader enabling the CAP 2020 DRH to which the card holder is connected to take the appropriate action when an RFID card is placed in the holder².

The RFE 10 F works only with 125kHz RFID cards. Any other type of RFID, magnetic stripe or smart card is not supported by the RFE 10 F device.

Technical Specifications

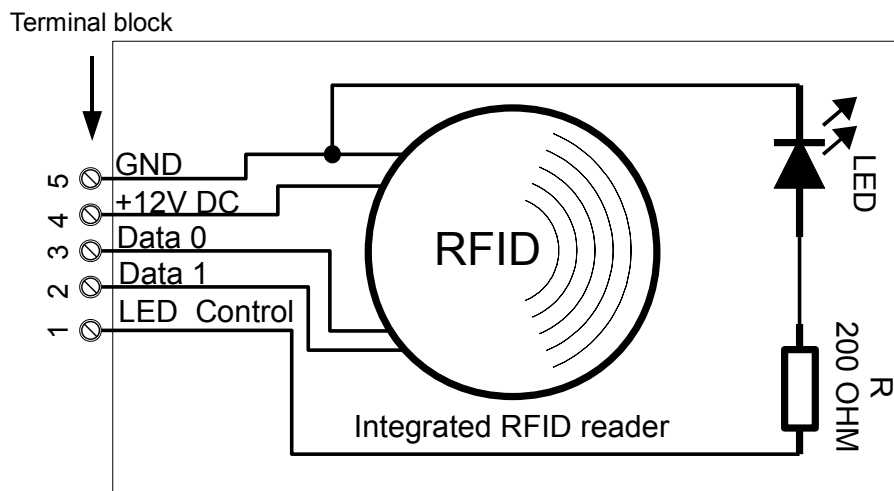
Electrical characteristics

- **Power supply**
 - Supply voltage (from CIB-tech device): 12V DC
 - Supply current: 40mA

- **LED**
 - Color: green
 - Input impedance: 200 Ohm

- **RFID reader:**
 - Operating radio frequency: 125kHz
 - Output data format: 26bit Wiegand
 - Bus voltage levels: 0 – 5V

Equivalent electrical drawing:



Mechanical characteristics

- Dimensions: 80mm W x 80mm L x 36mm D
- Weight: 70g

Part description

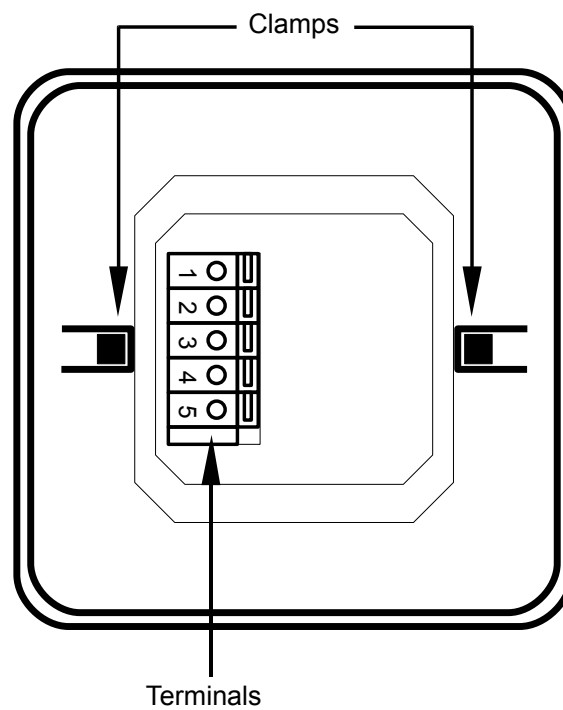
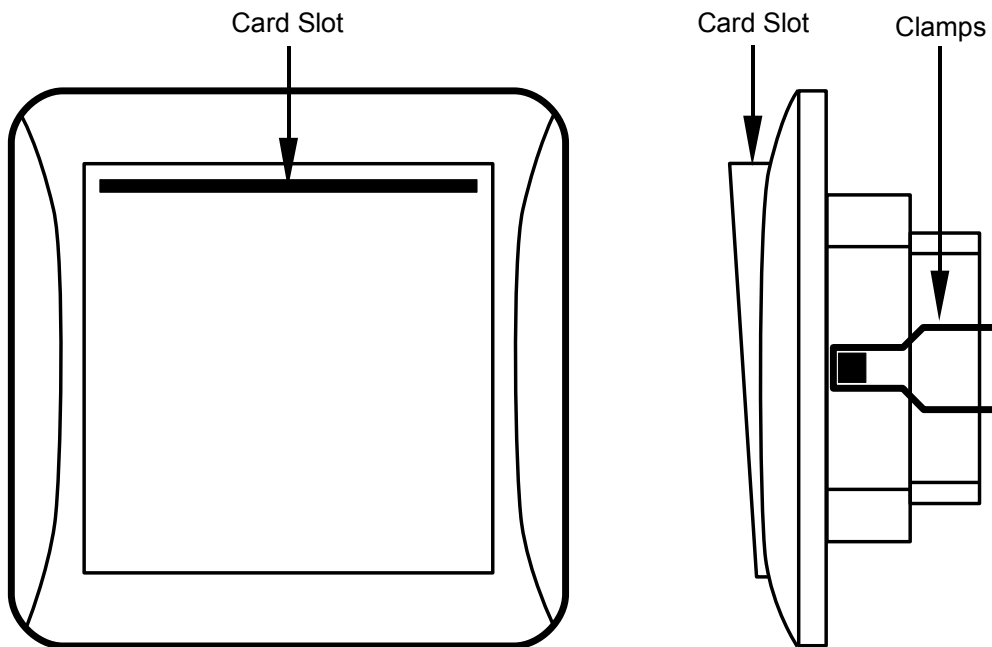
- **Card slot:** slot for inserting the RFID card. If there is no card inserted the light of the LED shines through the slot;
- **Clamps:** Metal clamps for securing the RFE 10 F in the pattress box;
- **Terminals:** Push-in terminal block for connections to the CAP 2020 DRH:

1 See IBS equipment list for any future device that might be compatible with the RFE 10 F.

2 See CAP 2020 DRH data sheet for more details.

1. LED Control – apply max 5V DC to this terminal to turn the LED on.
2. Wiegand Data 1 output;
3. Wiegand Data 0 output;
4. DC power supply +12V;
5. DC power supply GND

Mechanical drawings



Technical Support:
<http://www.ibs-smarthouse.com/>
info@ibs-smarthouse.com

All trademarks used in this document are properties of their respective owners.
[The manufacturer reserves the right to change the technical features of this product without prior notice.](#)